

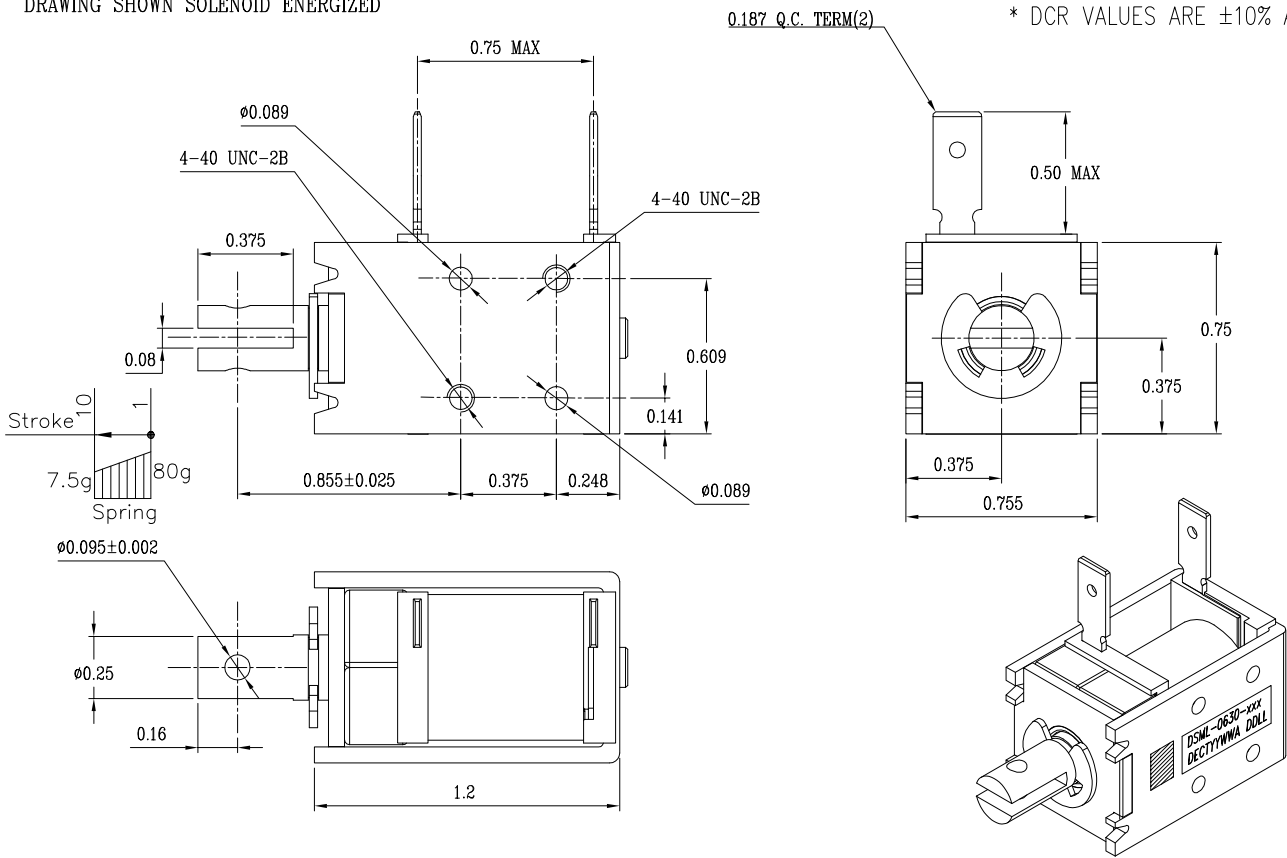
SOLENOID PRODUCT SPECIFICATION

PART No.	VOLTAGE	DUTY CYCLE	POWER (W)	CURRENT (A)	DCR (Ω) *	Release Volts
DSML-0630-12C	12 VDC	100%	4	0.4	38	6.7-9.0
DSML-0630-12E	12 VDC	25%, 60sec On	9	0.8	16	4.0-9.0
DSML-0630-12P	12 VDC	10%, 0.1sec On	40	3.4	3.6	2.0-9.0
DSML-0630-18C	18 VDC	100%	4	0.3	82	10.0-18.0
DSML-0630-18E	18 VDC	25%, 60sec On	9	0.6	38	6.5-20.0
DSML-0630-18P	18 VDC	10%, 0.1sec On	40	2.6	8	3.0-8.5
DSML-0630-24C	24 VDC	100%	4	0.2	144	15.0-28.0
DSML-0630-24E	24 VDC	25%, 60sec On	9	0.4	64	8.5-25.0
DSML-0630-24P	24 VDC	10%, 0.1sec On	40	1.8	14	4.0-12.0

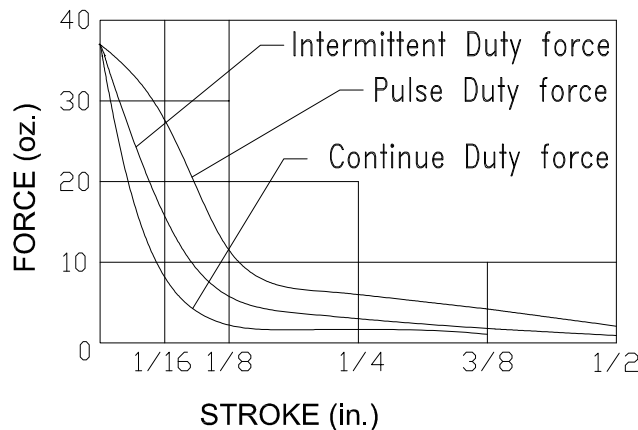
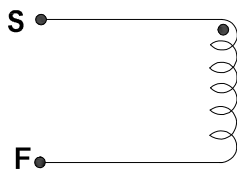
1. MECHANICAL DIMENSIONS :

DRAWING SHOWN SOLENOID ENERGIZED

* Release value are ±10% at 25°C.
 * DCR VALUES ARE ±10% AT 25°C



2. SCHEMATIC AND CONSTRUCTION :



UNIT : inch.

UNLESS TOLERANCES.

XX = ±0.02
 XX = ±0.01
 ANGLES = ±1°

INSULATION MATERIALS: UL CONSTRUCTION, CLASS B 130°C
 LIFE EXPECTANCY: 100K CYCLES OPERATIONS

LAYER TEST	IR. @500 Vdc.	HI-POT
(S-F) 500Vp. MIN.	COIL TO FRAME	@50/60Hz.,2mA
TEST ONLY COIL	50 MOHM MIN.	COIL TO FRAME
		600Vac.,1s