

# 5W, 4527, SL Type Low Resistance Chip Resistor (Lead / Halogen Free)

## 1. Scope

This specification applies to 7.1mm x 12mm size 5W, fixed metal foil current sensing resistors used in electronic equipment.

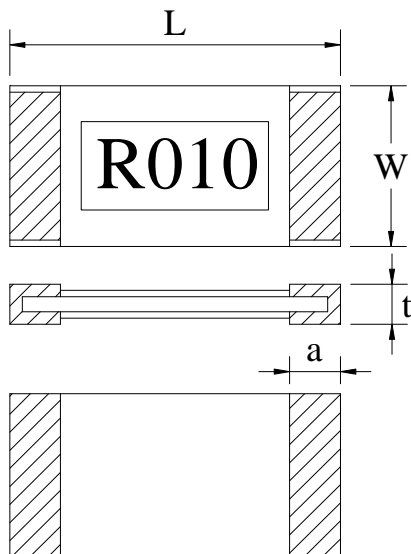
## 2. Type Designation

RL4527JW –

(1)                      (2)                      (3)

Where (1) Series No.  
 (2) Resistance value :  
 For example :  
 Four digits of number  
 R010 = 10mΩ  
 (3) Tolerance :  
 Refer to paragraph 4

## 3. Dimensions and schematic



Code Letter	Dimensions (mm)
L	11.80 ± 0.20
W	7.10 ± 0.20
a	2.50 ± 0.20
t	0.90 ± 0.20

Figure 1. Construction and Dimensions

UNLESS OTHERWISE SPECIFIED TOLERANCES ON :  
 X = ±      X.X = ±      X.XX = ±  
 ANGLES ±      HOLE DIA. ±  
 SCALE :      UNIT :

台達電子工業股份有限公司  
**Delta Electronics, Inc.**

THIS DRAWINGS AND SPECIFICATIONS ARE THE PROPERTY OF Delta Electronics, Inc.  
 AND SHALL NOT BE REPRODUCED OR USED AS THE BASIS FOR THE MANUFACTURE OR SALE OF APPARATUS OR DEVICES WITHOUT PERMISSION

TITLE : The Engineering Specification 5W, 4527,  
 SL Type Low Resistance Chip Resistor

DOCUMENT  
 NO.

SMBJ0000NH

PAGE  
 REV.  
 A0

#### 4. Specification

Characteristics	Feature
Power Rating*	5W
Resistance Value	10 ~120 mΩ
Temperature Coefficient of Resistance	± 75ppm/°C
Operation Temperature Range	-55°C ~ +170°C
Resistance Tolerance	± 1%(F) , ± 2%(G) , ± 5%(J)
Insulation Resistance	Over 100MΩ
Maximum Working Voltage (V)	$(P \cdot R)^{1/2}$

Note \* :

Power rating is based on continuous full load operation at rated ambient temperature of 70°C. For resistors operated at ambient temperature in excess of 70°C, the maximum load shall be derated in accordance with the following curve.

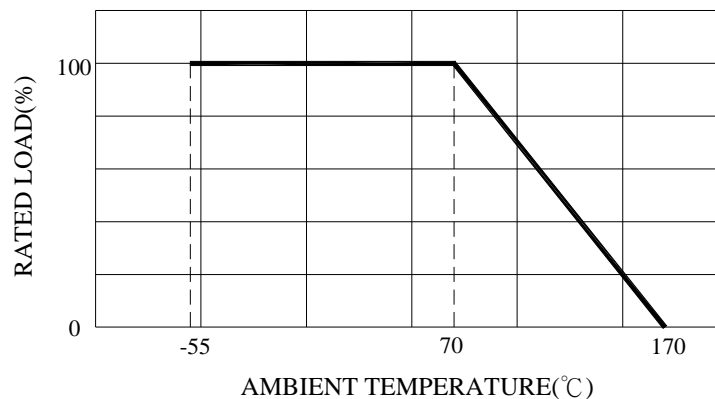


Figure 2. : Power Temperature Derating Curve

UNLESS OTHERWISE SPECIFIED TOLERANCES ON :

X = ±      X.X = ±      X.XX = ±

ANGLES ±      HOLE DIA. ±

SCALE :      UNIT :

台達電子工業股份有限公司  
*Delta Electronics, Inc.*

THIS DRAWINGS AND SPECIFICATIONS ARE THE PROPERTY OF Delta Electronics, Inc.

AND SHALL NOT BE REPRODUCED OR USED AS THE BASIS FOR THE MANUFACTURE OR SALE OF APPARATUS OR DEVICES WITHOUT PERMISSION

TITLE : The Engineering Specification 5W, 4527,  
SL Type Low Resistance Chip Resistor

DOCUMENT  
NO.

SMBJ0000NH

PAGE  
REV.  
A0

## 5. Reliability Performance

Test Item	Condition of Test	Requirements
Short Time Overload	5 x Rated power for 5 seconds Refer to JIS C 5201-1 4.13	$\Delta R : \pm 1.0\%$
Thermal Shock	-55 ~125°C 100 cycles, 15 min at each extreme condition Refer to JIS C 5201-1 4.19	$\Delta R : \pm 0.5\%$
Low Temperature Storage	Kept at -55°C, 1,000 hours Refer to JIS C 5201-1 4.23.4	$\Delta R : \pm 1.0\%$
Resistance to Soldering Heat	Dipped into solder at $270 \pm 5^\circ\text{C}$ for $20 \pm 1$ seconds Refer to JIS C 5201-1 4.18	$\Delta R : \pm 0.5\%$
Load Life	Rated voltage for 1.5hours followed by a pause 0.5hour at $70 \pm 3^\circ\text{C}$ Cycle repeated 1,000 hours Refer to JIS C 5201-1 4.25	$\Delta R : \pm 2.0\%$
Damp Heat with Load	$40 \pm 2^\circ\text{C}$ with relative humidity 90% to 95%. D.C. rated voltage for 1.5 hours ON 30 minutes OFF. Cycle repeated 1,000 hours Refer to JIS C 5201-1 4.24	$\Delta R : \pm 1.0\%$
High Temperature Exposure	Kept at $170^\circ\text{C}$ for 1,000 hours Refer to JIS C 5201-1 4.23.2	$\Delta R : \pm 1.0\%$
Solderability	Temperature of Solder : $245 \pm 5^\circ\text{C}$ Immersion Duration : $3 \pm 0.5$ second Refer to JIS C 5201-1 4.17	Uniform coating of solder cover minimum of 95% surface being immersed
Mechanical Shock	100 G's for 6milliseconds. 5 pulses Refer to JIS C 5201-1 4.21	$\Delta R : \pm 0.5\%$
Substrate Bending	Glass-Epoxy board thickness : 1.6mm Bending width : 2mm Between the fulcrums : 90mm Refer to JIS C 5201-1 4.33	$\Delta R : \pm 0.5\%$

UNLESS OTHERWISE SPECIFIED TOLERANCES ON :

X =  $\pm$       X.X =  $\pm$       X.XX =  $\pm$

ANGLES  $\pm$       HOLE DIA.  $\pm$

SCALE :      UNIT :

台達電子工業股份有限公司  
*Delta Electronics, Inc.*

THIS DRAWINGS AND SPECIFICATIONS ARE THE PROPERTY OF Delta Electronics, Inc.

AND SHALL NOT BE REPRODUCED OR USED AS THE BASIS FOR THE MANUFACTURE OR SALE OF APPARATUS OR DEVICES WITHOUT PERMISSION

TITLE : The Engineering Specification 5W, 4527,  
SL Type Low Resistance Chip Resistor

DOCUMENT  
NO.

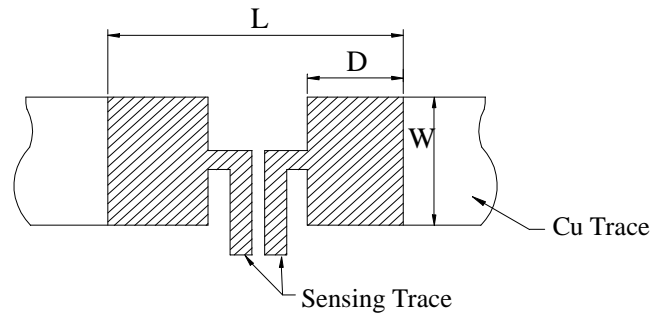
SMBJ0000NH

PAGE  
REV.  
A0

## 6. Recommend Land Pattern

	W (mm)	L (mm)	D (mm)	t ( $\mu$ m)
4527	7.5	13.0	4.0	105

t: Copper foil minimum thickness of PCB

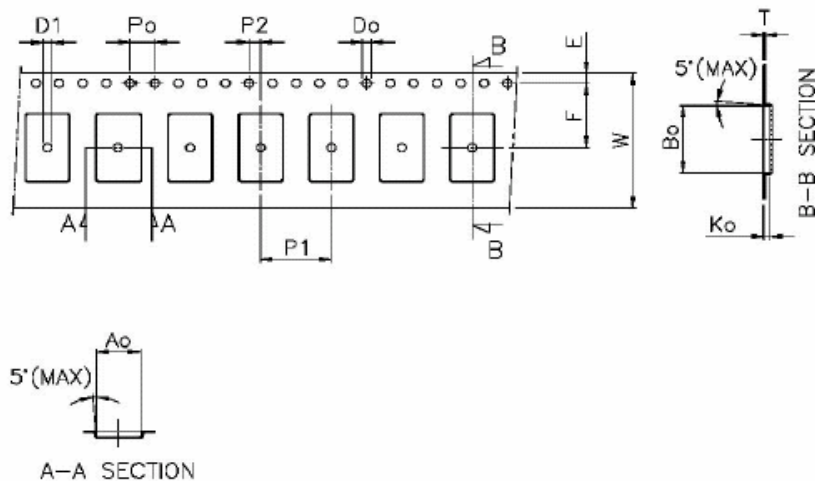


Note : We recommend there is no circuit design between pads to avoid circuit short

## 7. Packaging

### 7-1 Dimensions

#### 7-1-1 Tape packaging dimensions



Unit: mm

Symbol	Ao	Bo	Ko	Po	P1	P2	T
Spec	7.38 $\pm$ 0.10	12.00 $\pm$ 0.10	1.05 $\pm$ 0.10	4.0 $\pm$ 0.10	12.0 $\pm$ 0.10	2.0 $\pm$ 0.10	0.30 $\pm$ 0.10
Symbol	E	F	Do	D1	W	10Po	
Spec	1.75 $\pm$ 0.10	11.50 $\pm$ 0.10	1.55 $\pm$ 0.05	1.50 $\pm$ 0.10	24.0 $\pm$ 0.30	40.0 $\pm$ 0.20	

UNLESS OTHERWISE SPECIFIED TOLERANCES ON :

X =  $\pm$  X.X =  $\pm$  X.XX =  $\pm$

ANGLES  $\pm$  HOLE DIA.  $\pm$

SCALE : UNIT :

台達電子工業股份有限公司  
**Delta Electronics, Inc.**

THIS DRAWINGS AND SPECIFICATIONS ARE THE PROPERTY OF Delta Electronics, Inc.

AND SHALL NOT BE REPRODUCED OR USED AS THE BASIS FOR THE MANUFACTURE OR SALE OF APPARATUS OR DEVICES WITHOUT PERMISSION

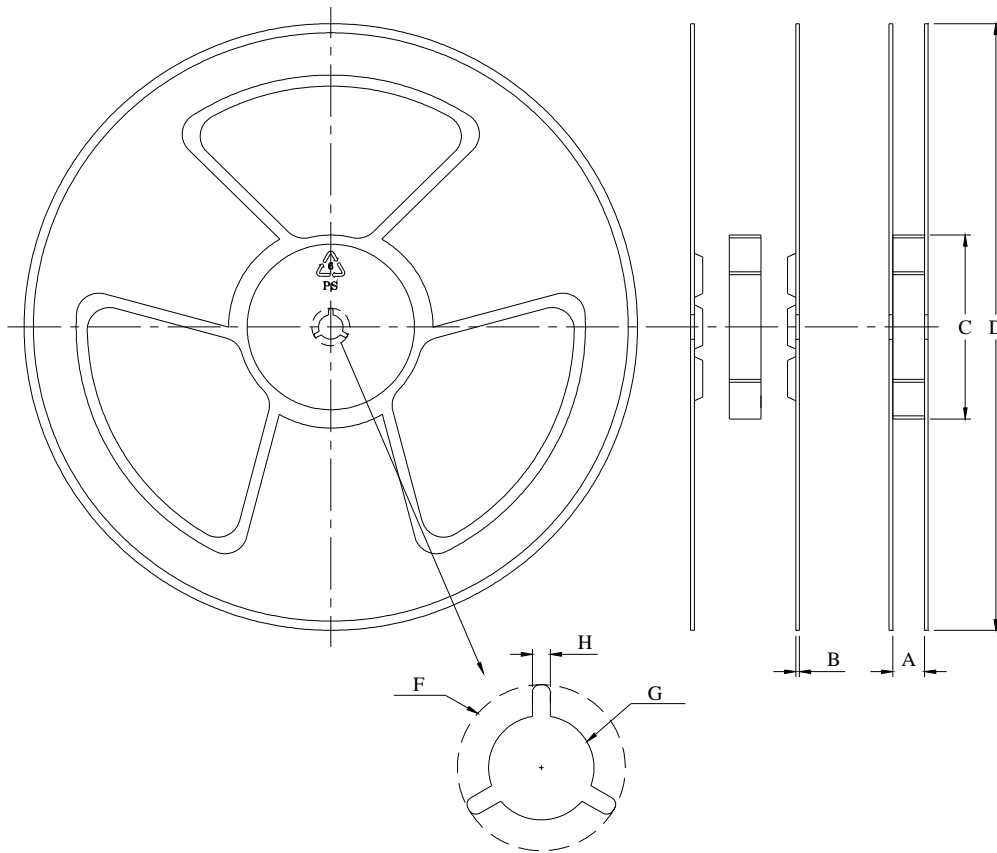
TITLE : The Engineering Specification 5W, 4527,  
SL Type Low Resistance Chip Resistor

DOCUMENT  
NO.

SMBJ0000NH

PAGE  
REV.  
A0

7-1-2 Reel dimensions



A	$24.5 \pm 0.5$	F	$20.2 \pm 0.1$
B	$2.0 \pm 0.2$	G	$13.0^{+0.5}_{-1.0}$
C	$100 \pm 1.0$	H	$2.2 \pm 0.1$
D	$330 \pm 0.5$		

Unit : mm

UNLESS OTHERWISE SPECIFIED TOLERANCES ON :

X = ±      X.X = ±      X.XX = ±

ANGLES ±      HOLE DIA. ±

SCALE :      UNIT :

台達電子工業股份有限公司  
*Delta Electronics, Inc.*

THIS DRAWINGS AND SPECIFICATIONS ARE THE PROPERTY OF Delta Electronics, Inc.

AND SHALL NOT BE REPRODUCED OR USED AS THE BASIS FOR THE MANUFACTURE OR SALE OF APPARATUS OR DEVICES WITHOUT PERMISSION

TITLE : The Engineering Specification 5W, 4527,  
SL Type Low Resistance Chip Resistor

DOCUMENT  
NO.

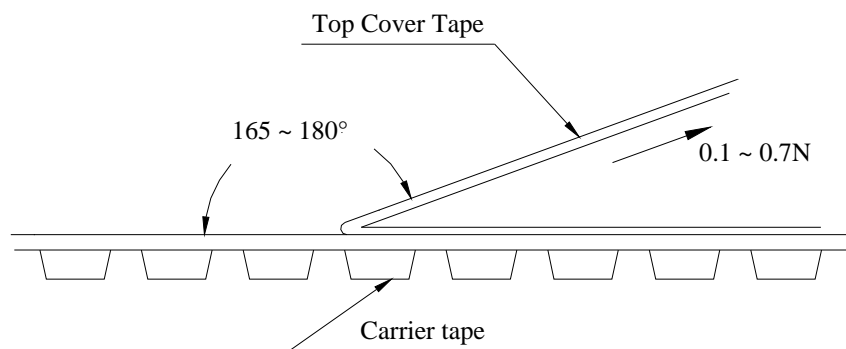
SMBJ0000NH

PAGE  
REV.  
A0

### 7-2 Peel Strength of Top Cover Tape

The peel speed shall be about 300mm/min.

The peel force of top cover tape shall be between 0.1 to 0.7N



### 7-3 Number of Taping

1,000 pieces / reel

### 7-4 Label marking

The following items shall be marked on the reel.

- (1) Type designation
- (2) Quantity
- (3) Manufacturing date code
- (4) Manufacturer's name
- (5) The country of origin

UNLESS OTHERWISE SPECIFIED TOLERANCES ON :

X = ±      X.X = ±      X.XX = ±

ANGLES ±      HOLE DIA. ±

SCALE :      UNIT :

台達電子工業股份有限公司  
*Delta Electronics, Inc.*

THIS DRAWINGS AND SPECIFICATIONS ARE THE PROPERTY OF Delta Electronics, Inc.

AND SHALL NOT BE REPRODUCED OR USED AS THE BASIS FOR THE MANUFACTURE OR SALE OF APPARATUS OR DEVICES WITHOUT PERMISSION

TITLE : The Engineering Specification 5W, 4527,  
SL Type Low Resistance Chip Resistor

DOCUMENT  
NO.

SMBJ0000NH

PAGE  
REV.  
A0