



Digitized Automation for a Changing World

# Delta Vision Sensor VIS100 Series



[www.deltaww.com](http://www.deltaww.com)

 **DELTA**  
Smarter. Greener. Together.

# Compact vision sensor for flexible installation

As industrial automation moves toward smart manufacturing, industries seek more intelligent and high-precision inspection devices that are modular and user-friendly in design to fulfill a variety of industry demands. Delta's Vision Sensor VIS100 Series features compact design, powerful processing capabilities, and a variety of I/O points. The VIS100 Series offers excellent 1D/2D barcode reading, object counting and detection.

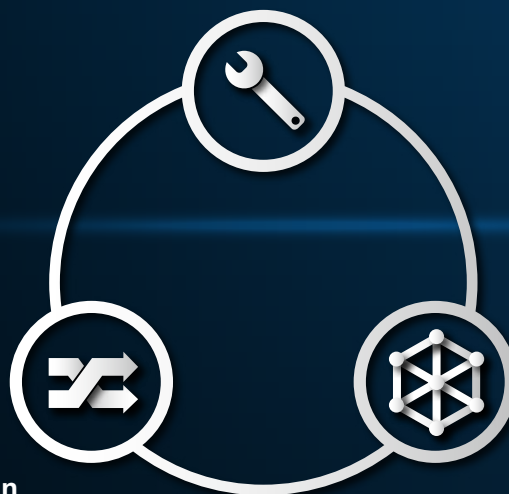
The VIS100 Series supports high-speed and stable decoding, and allows customers to remotely control cameras, set parameters, adjust programs, and monitor in real-time through browsers on mobile devices, achieving flexible and efficient vision inspection.

## 【 Easy Setup 】

- Suitable for various inspection applications
- 4G memory
- Modular accessories

## 【 Efficient Inspection 】

- Modular structure
- Multiple barcode reading
- Highly precise and synchronized inspection



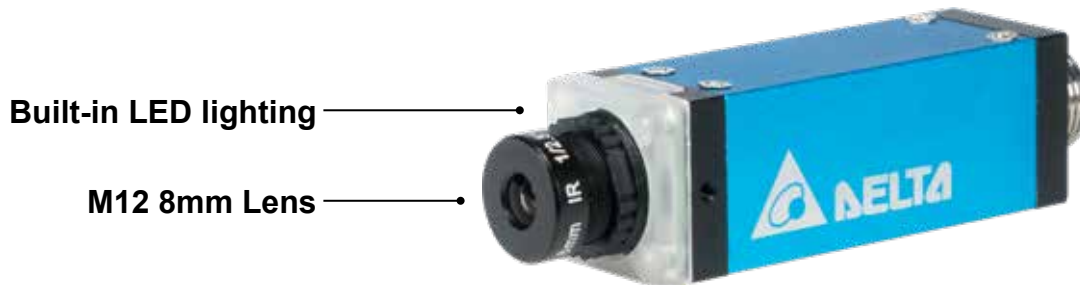
## 【 Various Applications 】

- Product identification
- Quality inspection

<b>03</b>	<b>Features</b>
<b>03</b>	<b>Inspection Functions</b>
<b>04</b>	<b>Product and Accessories</b>
<b>04</b>	<b>System Structure</b>
<b>05</b>	<b>Applications</b>
<b>07</b>	<b>Specifications</b>
<b>08</b>	<b>Dimensions</b>
<b>08</b>	<b>Ordering Information</b>

## Features

- Advanced embedded system for high-speed inspection capabilities
- Compact in size for flexible installation
- User-friendly interfaces for easy setup
- Supports program setup via browsers for simple and rapid device adjustment
- Built-in LED lighting, no need to purchase additional lighting device



### Applications:

Automated quality inspection for packaging, electronics manufacturing and product assembly

## Inspection Functions

Built-in multi-functional vision development tool modules, applicable for quick and precise barcode reading, object positioning and detection

Barcode Reading



Quality Assurance



Object Inspection





# Product and Accessories

## Vision Sensor



## Connection Cable

• Standard

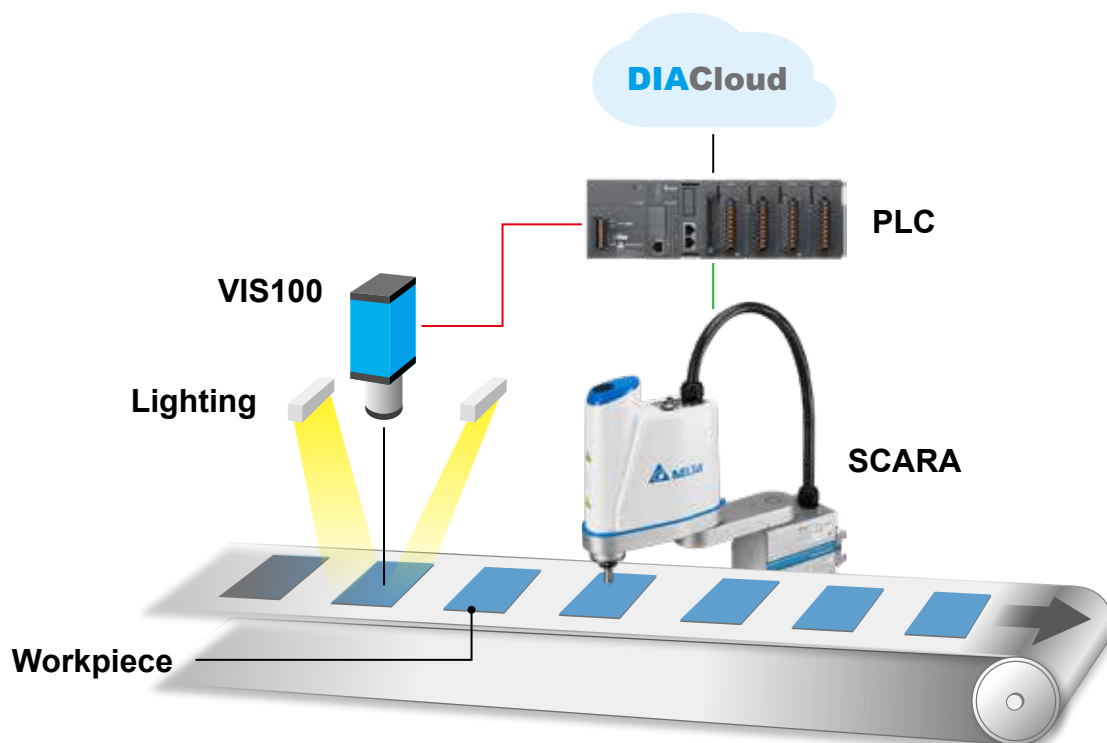


• Optional



Length
40 cm (Standard)
2 m (Optional)
4 m (Optional)
6 m (Optional)
10 m (Optional)

## System Structure

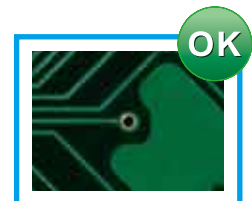
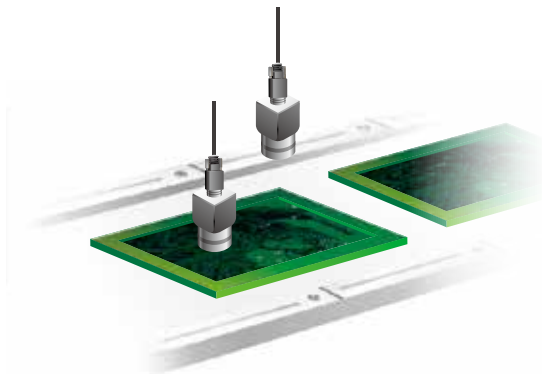


# Applications

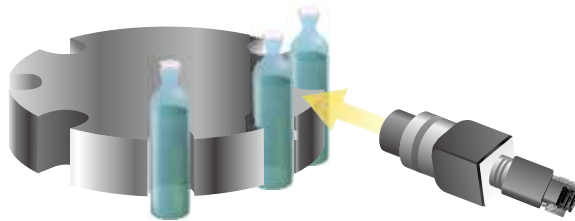
## Vision Inspection for Robot Pick and Place



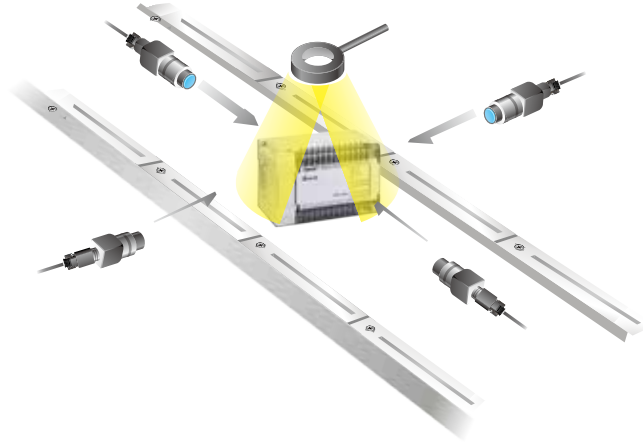
## Defect Detection



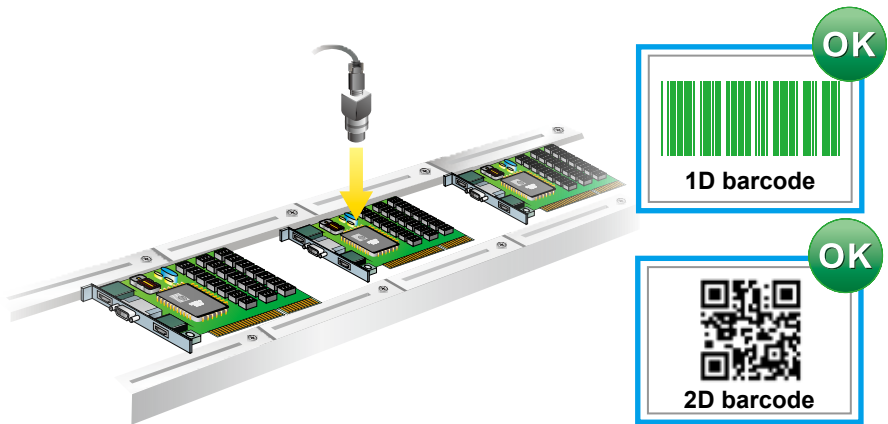
## Beverage Level Inspection



## Product Inspection



## Barcode Reading

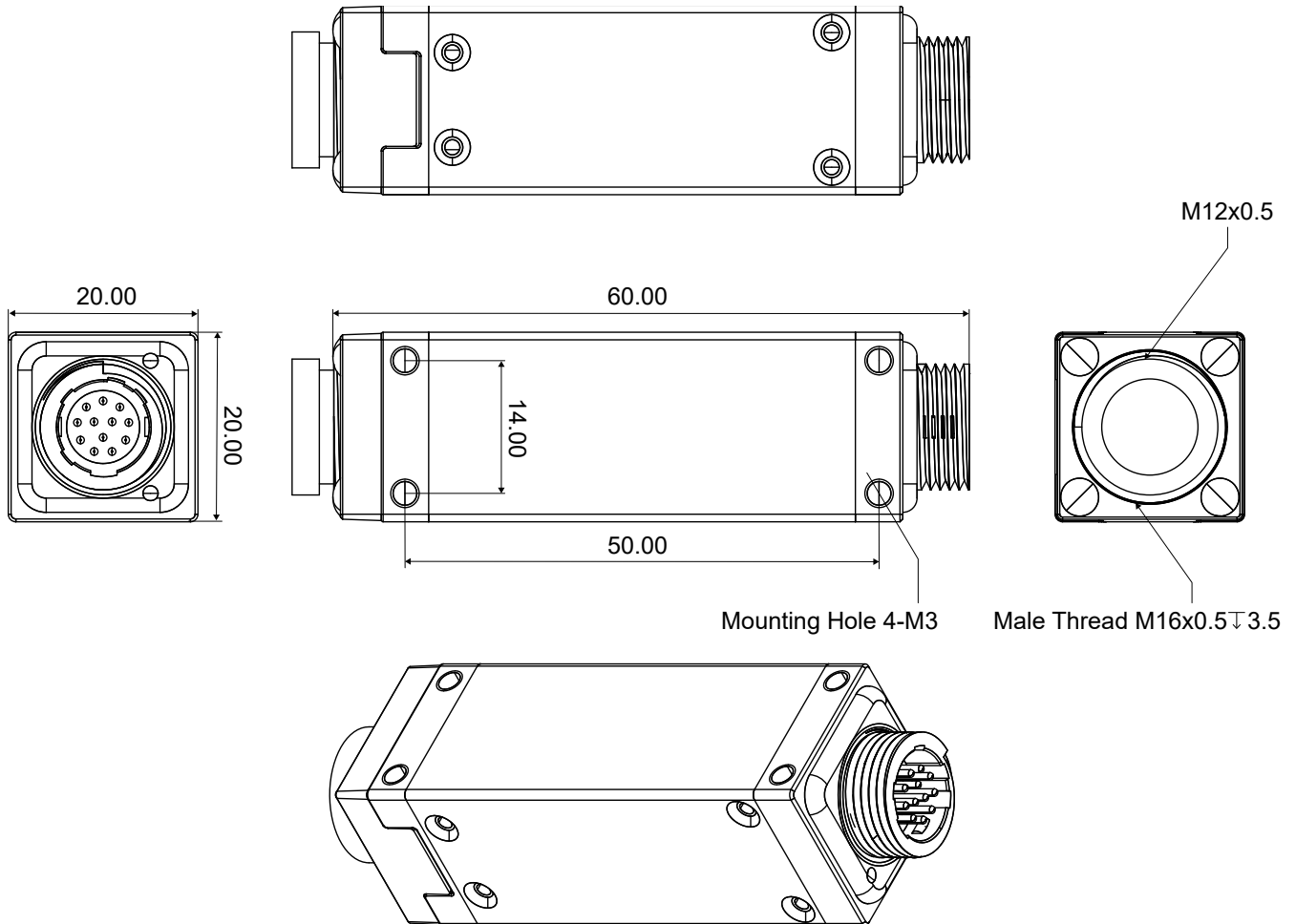


## Specifications

Category	Item	Description
<b>Processor</b>	CPU	Dual-core ARM CORTEX A9 866MHz
	Operating System	Linux 3.6
<b>Hard Drive</b>	Storage	DDR3 512MB & 4GB Flash
<b>Sensor</b>	Resolution	640 x 480
	Sensor	1/3 CMOS
	Frame Rate	90fps
	Dynamic Range	63dB
<b>I/O</b>	Port Type	1 input, 2 outputs
	Ethernet Speed	10/100 M
	Protocol	TCP/UDP
<b>Lighting</b>		Built-in LED lighting
<b>Power</b>	Voltage	9 ~ 30 VDC
	Current	24V: 0.1A / 12V: 0.2A
<b>Operating Environment</b>	Operating Temperature	-20 ~ 55°C
<b>Product Specifications</b>	Dimensions	20 x 20 x 60 mm
	Lens	M12 8mm
	Case	Metal
	IP Rating	IP55
	Weight	50g
<b>User Interface</b>		Web Browser



## Dimensions (Unit: mm)



## Ordering Information

Product	Description	P/N
Vision sensors	1D and 2D barcode reading	VIS100-30G12D
	Absence/presence detection	VIS100-30GBLD
Extension cable	2M	VIS-CA02I
	4M	VIS-CA04I

# Global Operations

## ASIA (Taiwan)



Taoyuan Technology Center (Green Building)



Taoyuan Plant 1



Tainan Plant (Diamond-rated Green Building)



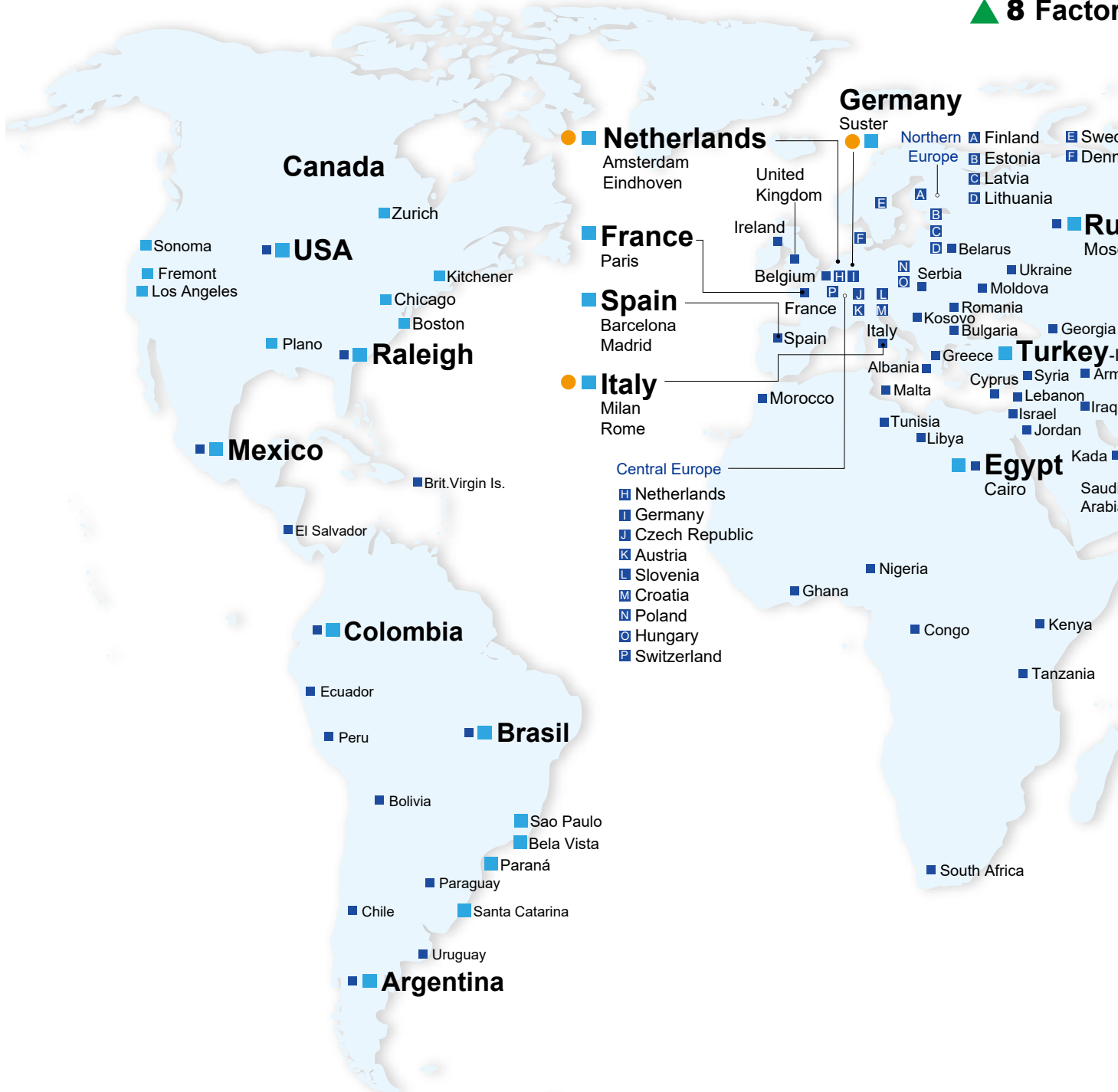
Wujiang Plant 3



Shanghai Office

## ASIA (China)

## ▲ 8 Factor



**ASIA (Japan)**



Tokyo Office

**ASIA (India)**



Rudrapur Plant (Green Building)

**EUROPE**



Amsterdam, the Netherlands

**AMERICA**



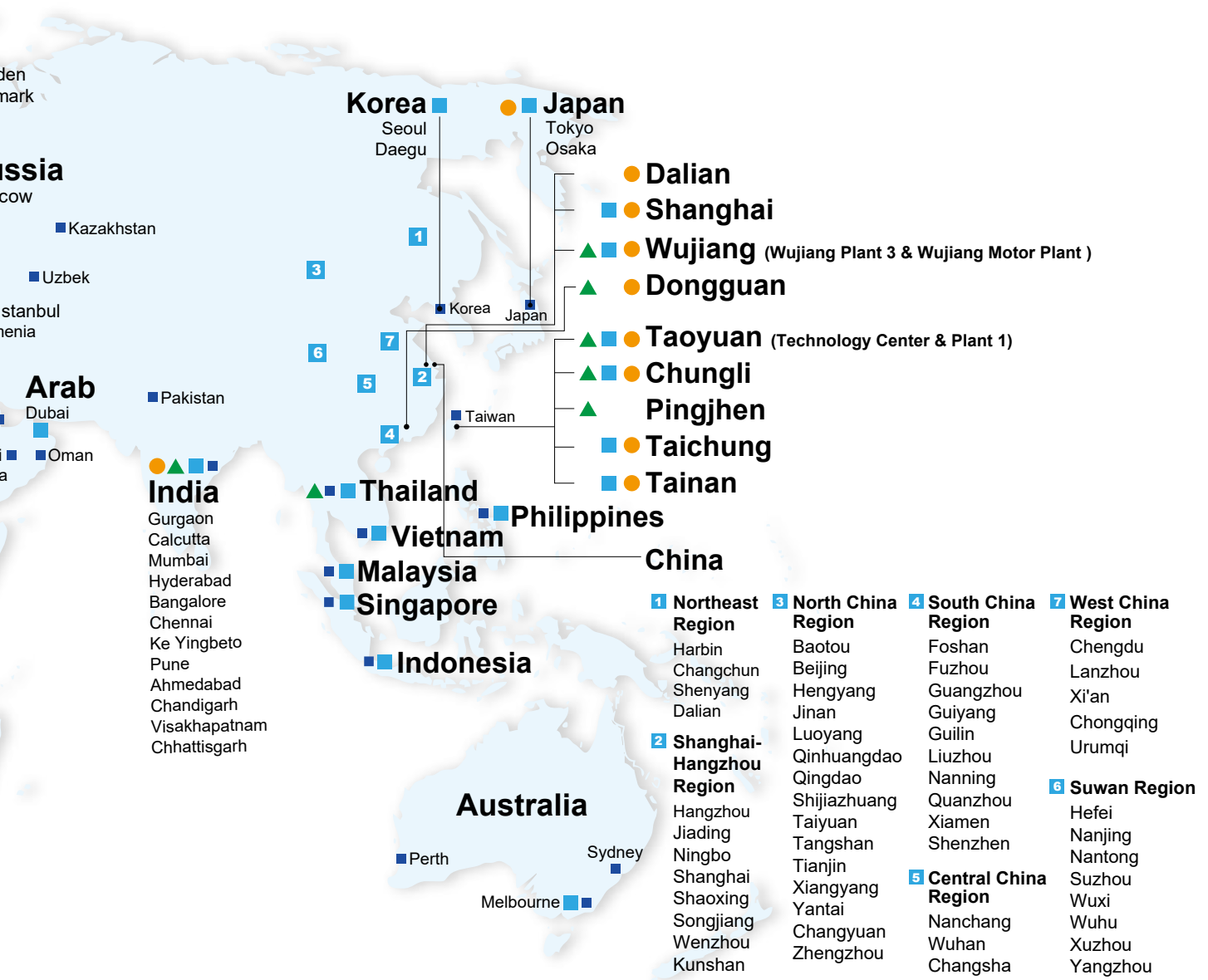
Research Triangle Park, U.S.A.

ies

■ **112 Branch Offices**

● **13 R&D Centers**

■ **909 Distributors**





Smarter. Greener. Together.

## Industrial Automation Headquarters

### Taiwan: Delta Electronics, Inc.

Taoyuan Technology Center  
No.18, Xinglong Rd., Taoyuan District,  
Taoyuan City 33068, Taiwan  
TEL: +886-3-362-6301 / FAX: +886-3-371-6301

## Asia

### China: Delta Electronics (Shanghai) Co., Ltd.

No.182 Minyu Rd., Pudong Shanghai, P.R.C.  
Post code : 201209  
TEL: +86-21-6872-3988 / FAX: +86-21-6872-3996  
Customer Service: 400-820-9595

### Japan: Delta Electronics (Japan), Inc.

Industrial Automation Sales Department  
2-1-14 Shibadaimon, Minato-ku  
Tokyo, Japan 105-0012  
TEL: +81-3-5733-1155 / FAX: +81-3-5733-1255

### Korea: Delta Electronics (Korea), Inc.

1511, 219, Gasan Digital 1-Ro., Geumcheon-gu,  
Seoul, 08501 South Korea  
TEL: +82-2-515-5305 / FAX: +82-2-515-5302

### Singapore: Delta Energy Systems (Singapore) Pte Ltd.

4 Kaki Bukit Avenue 1, #05-04, Singapore 417939  
TEL: +65-6747-5155 / FAX: +65-6744-9228

### India: Delta Electronics (India) Pvt. Ltd.

Plot No.43, Sector 35, HSIIDC Gurgaon,  
PIN 122001, Haryana, India  
TEL: +91-124-4874900 / FAX: +91-124-4874945

### Thailand: Delta Electronics (Thailand) PCL.

909 Soi 9, Moo 4, Bangpoo Industrial Estate (E.P.Z),  
Pattana 1 Rd., T.Phraksa, A.Muang,  
Samutprakarn 10280, Thailand  
TEL: +66-2709-2800 / FAX: +66-2709-2827

### Australia: Delta Electronics (Australia) Pty Ltd.

Unit 20-21/45 Normanby Rd., Notting Hill Vic 3168, Australia  
TEL: +61-3-9543-3720

## Americas

### USA: Delta Electronics (Americas) Ltd.

5101 Davis Drive, Research Triangle Park, NC 27709, U.S.A.  
TEL: +1-919-767-3813 / FAX: +1-919-767-3969

### Brazil: Delta Electronics Brazil

Rua Itapeva, 26 - 3º, andar Edifício Itapeva,  
One - Bela Vista 01332-000 - São Paulo - SP - Brazil  
TEL: +55-12-3932-2300 / FAX: +55-12-3932-237

### Mexico: Delta Electronics International Mexico S.A. de C.V.

Gustavo Baz No. 309 Edificio E PB 103  
Colonia La Loma, CP 54060  
Tlalnepantla, Estado de México  
TEL: +52-55-3603-9200

## EMEA

### EMEA Headquarters: Delta Electronics (Netherlands) B.V.

Sales: Sales.IA.EMEA@deltaww.com  
Marketing: Marketing.IA.EMEA@deltaww.com  
Technical Support: iatechnicalsupport@deltaww.com  
Customer Support: Customer-Support@deltaww.com  
Service: Service.IA.emea@deltaww.com  
TEL: +31(0)40 800 3900

### BENELUX: Delta Electronics (Netherlands) B.V.

Automotive Campus 260, 5708 JZ Helmond, The Netherlands  
Mail: Sales.IA.Benelux@deltaww.com  
TEL: +31(0)40 800 3900

### DACH: Delta Electronics (Netherlands) B.V.

Coesterweg 45, D-59494 Soest, Germany  
Mail: Sales.IA.DACH@deltaww.com  
TEL: +49(0)2921 987 0

### France: Delta Electronics (France) S.A.

ZI du bois Challand 2, 15 rue des Pyrénées,  
Lisses, 91090 Evry Cedex, France  
Mail: Sales.IA.FR@deltaww.com  
TEL: +33(0)1 69 77 82 60

### Iberia: Delta Electronics Solutions (Spain) S.L.U

Ctra. De Villaverde a Vallecas, 265 1º Dcha Ed.  
Hormigueras – P.I. de Vallecas 28031 Madrid  
TEL: +34(0)91 223 74 20

Carrer Llacuna 166, 08018 Barcelona, Spain

Mail: Sales.IA.Iberia@deltaww.com

### Italy: Delta Electronics (Italy) S.r.l.

Via Meda 2-22060 Novedrate(CO)  
Piazza Grazioli 18 00186 Roma Italy  
Mail: Sales.IA.Italy@deltaww.com  
TEL: +39 039 8900365

### Russia: Delta Energy System LLC

Vereyskaya Plaza II, office 112 Vereyskaya str.  
17 121357 Moscow Russia  
Mail: Sales.IA.RU@deltaww.com  
TEL: +7 495 644 3240

### Turkey: Delta Greentech Elektronik San. Ltd. Sti. (Turkey)

Şerifali Mah. Hendem Cad. Kule Sok. No:16-A  
34775 Ümraniye – İstanbul  
Mail: Sales.IA.Turkey@deltaww.com  
TEL: + 90 216 499 9910

### MEA: Eltek Dubai (Eltek MEA DMCC)

OFFICE 2504, 25th Floor, Saba Tower 1,  
Jumeirah Lakes Towers, Dubai, UAE  
Mail: Sales.IA.MEA@deltaww.com  
TEL: +971(0)4 2690148