



Digitized Automation for a Changing World

Delta Low Voltage Electric Vehicle Drive BTD Series



www.deltaww.com



Features

- **Outstanding Performance**
Supports Permanent Magnet Synchronous, Induction and Hub motors with excellent control and high efficiency
- **Strong Drive Capability**
Continuous operation for 2 minutes under maximum current
- **Flexible Installation**
Compact design, smaller size compared with similar models, enhancing interior space utilization
- **Auto-tuning**
Quick and precise motor parameter tuning without unloading the device from the vehicle. Compatible with various brands of AC motors
- **Reliability and Stability**
IP65/IP67 waterproof and dust-proof, PCB conformal coating
- **Complete International Certifications**
CE and UL certified

BTDH2 Series



BTDS1 Series



Specifications

Model		BTDS1 Series	BTDH2 Series
Motor Type		Induction motor (IM), Permanent magnet synchronous motor (PMSM), Hub motor	
Speed Feedback		A/B Incremental encoder	
Speed Feedback Voltage (V _{DC})		12	12
Output	Carrier Frequency (kHz)	10	
Input	Rated Voltage (V _{DC})	24/48/80	48/80/96/144
Control Functions	Control Methods	Torque mode / Speed mode	
Operation Environment	Operation Temperature	-40°C ~ 40°C	-40°C ~ 50°C
	Storage Temperature	-40°C ~ 75°C	-40°C ~ 85°C
	Protection Rating	IP65	IP67
Communication Port		CAN-Bus / Modbus	
Protection		Overcurrent protection, high/low-voltage protection, overheat protection, battery low-voltage warning, emergency stop output	
Certifications		CE, UL	
Dimensions (WxDxH, mm)		180.0x140.0x89.8	220.0x180.0x82.6
Weight		Net: 2.2 kg Gross: 2.6 kg	Net: 3.8 kg Gross: 4.2 kg

Model Chart

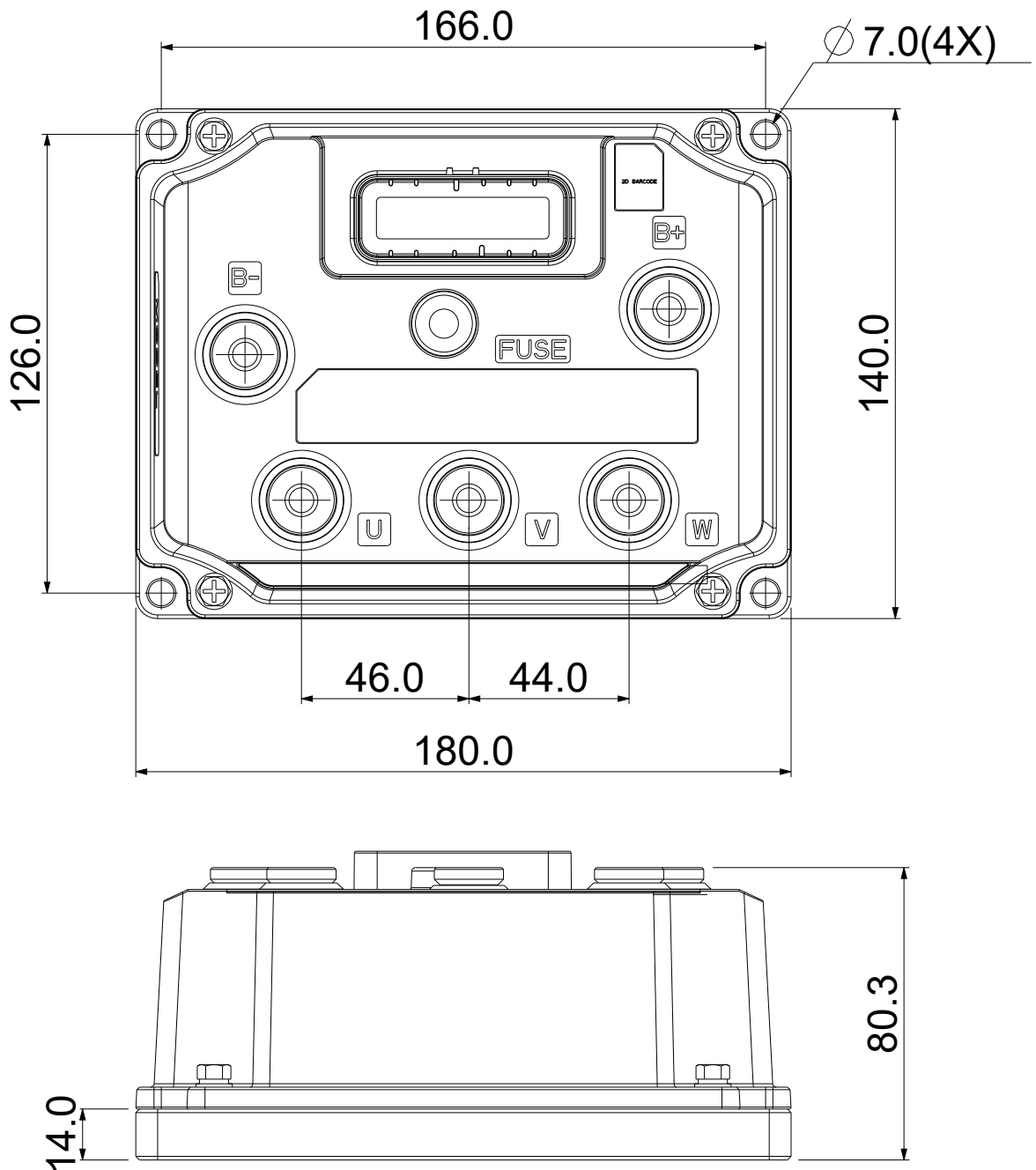
Model		Rated Voltage (V)	S2-60 Min RMS Rated Current (A)	2 Min Max. Current (A)
BTDS1 Series	BTDS10206P0	24	100	300
	BTDS10208P0	24	133	400
	BTDS10210P0	24	167	500
	BTDS10403P0 ^{*1}	48	50	150
	BTDS10407P0 ^{*1}	48	117	350
	BTDS10410P0	48	167	400 (500 A 1 min)
	BTDS10606P0	80	133	300 (350 A 1 min)
BTDH2 Series	BTDH20412P0 ^{*2}	48	240	600
	BTDH20609P0 ^{*2}	80	190	450 (550 A 1 min)
	BTDH20806P0 ^{*2}	96	130	300
	BTDH21204P0 ^{*2}	144	90	200

*1: Available in Q4 2023.

*2: Available in Q3 2023.

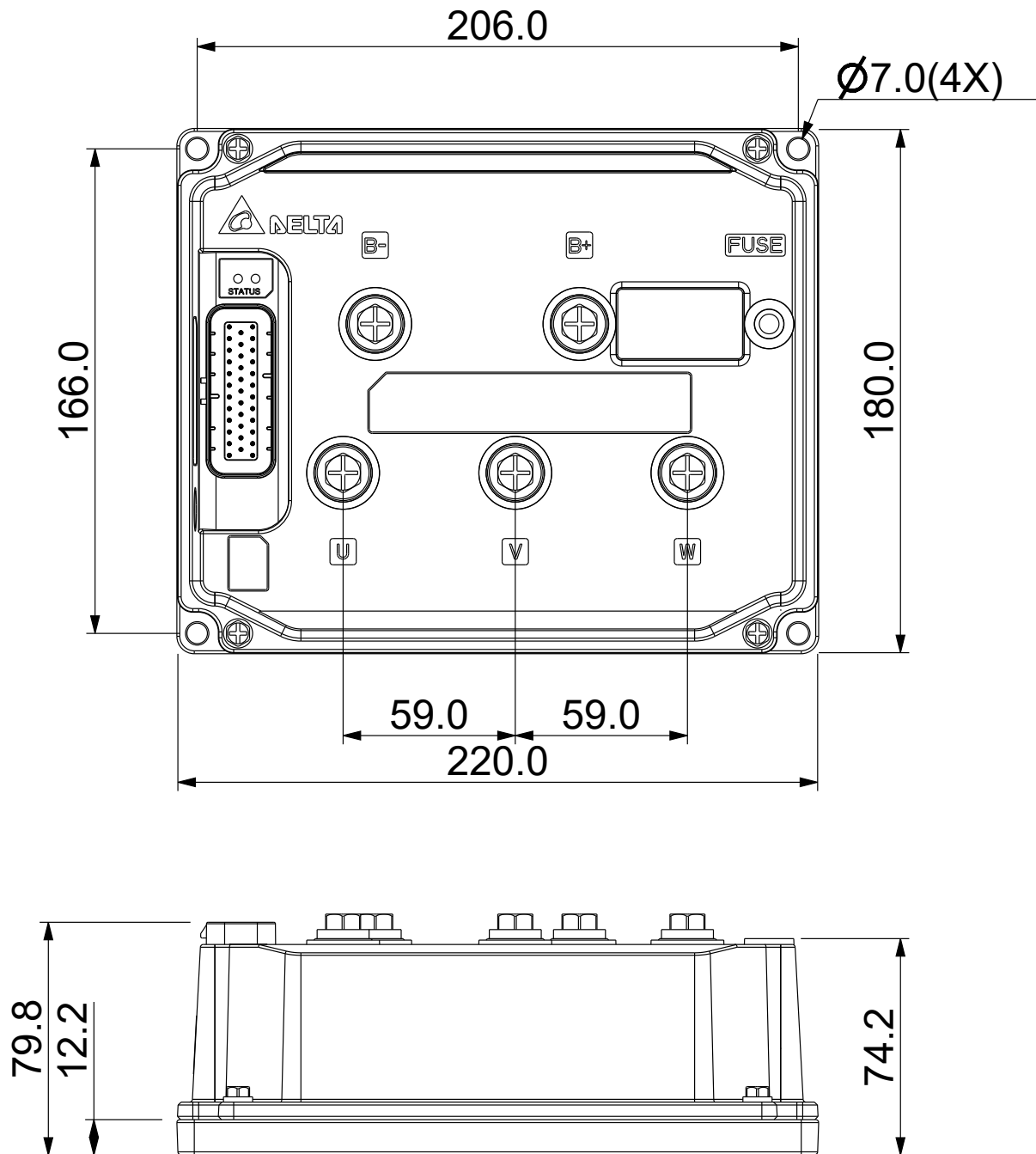
Dimensions

BTDS1



Unit: mm

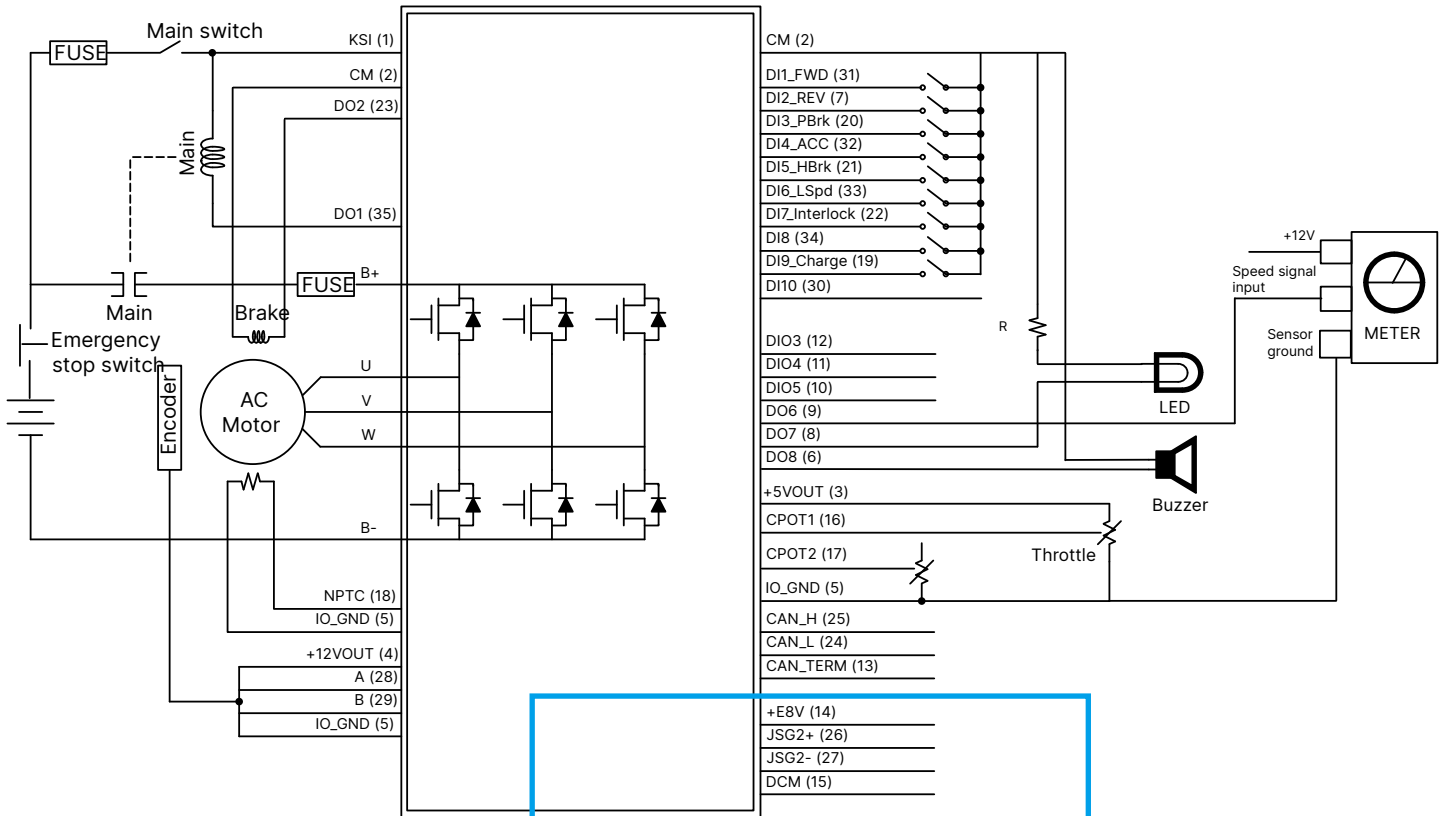
BTDH2



Unit: mm

Wiring

BTDS1/BTDH2



IFD6530
— USB

VFD Explorer

The engineering adjustment can be connected to the computer through the IFD6530 (Hardware) and then used with the VFD explorer (Software) for dynamic monitoring.



Smarter. Greener. Together.

Industrial Automation Headquarters

Taiwan: Delta Electronics, Inc.

Taoyuan Technology Center
No.18, Xinglong Rd., Taoyuan District,
Taoyuan City 33068, Taiwan
TEL: +886-3-362-6301 / FAX: +886-3-371-6301

Asia

China: Delta Electronics (Shanghai) Co., Ltd.

No.182 Minyu Rd., Pudong Shanghai, P.R.C.
Post code : 201209
TEL: +86-21-6872-3988 / FAX: +86-21-6872-3996
Customer Service: 400-820-9595

Japan: Delta Electronics (Japan), Inc.

Industrial Automation Sales Department
2-1-14 Shibadaimon, Minato-ku
Tokyo, Japan 105-0012
TEL: +81-3-5733-1155 / FAX: +81-3-5733-1255

Korea: Delta Electronics (Korea), Inc.

1511, 219, Gasan Digital 1-Ro., Geumcheon-gu,
Seoul, 08501 South Korea
TEL: +82-2-515-5305 / FAX: +82-2-515-5302

Singapore: Delta Energy Systems (Singapore) Pte Ltd.

4 Kaki Bukit Avenue 1, #05-04, Singapore 417939
TEL: +65-6747-5155 / FAX: +65-6744-9228

India: Delta Electronics (India) Pvt. Ltd.

Plot No.43, Sector 35, HSIIDC Gurgaon,
PIN 122001, Haryana, India
TEL: +91-124-4874900 / FAX: +91-124-4874945

Thailand: Delta Electronics (Thailand) PCL.

909 Soi 9, Moo 4, Bangpoo Industrial Estate (E.P.Z),
Pattana 1 Rd., T.Phraksa, A.Muang,
Samutprakarn 10280, Thailand
TEL: +66-2709-2800 / FAX: +66-2709-2827

Australia: Delta Electronics (Australia) Pty Ltd.

Unit 2, Building A, 18-24 Ricketts Road,
Mount Waverley, Victoria 3149 Australia
Mail: IA.au@deltaww.com
TEL: +61-1300-335-823 / +61-3-9543-3720

Americas

USA: Delta Electronics (Americas) Ltd.

5101 Davis Drive, Research Triangle Park, NC 27709, U.S.A.
TEL: +1-919-767-3813 / FAX: +1-919-767-3969

Brazil: Delta Electronics Brazil Ltd.

Estrada Velha Rio-São Paulo, 5300 Eugênio de
Melo - São José dos Campos CEP: 12247-004 - SP - Brazil
TEL: +55-12-3932-2300 / FAX: +55-12-3932-237

Mexico: Delta Electronics International Mexico S.A. de C.V.

Gustavo Baz No. 309 Edificio E PB 103
Colonia La Loma, CP 54060
Tlalnepantla, Estado de México
TEL: +52-55-3603-9200

EMEA

EMEA Headquarters: Delta Electronics (Netherlands) B.V.

Sales: Sales.IA.EMEA@deltaww.com
Marketing: Marketing.IA.EMEA@deltaww.com
Technical Support: iatechnicalsupport@deltaww.com
Customer Support: Customer-Support@deltaww.com
Service: Service.IA.emea@deltaww.com
TEL: +31(0)40 800 3900

BENELUX: Delta Electronics (Netherlands) B.V.

Automotive Campus 260, 5708 JZ Helmond, The Netherlands
Mail: Sales.IA.Benelux@deltaww.com
TEL: +31(0)40 800 3900

DACH: Delta Electronics (Netherlands) B.V.

Coesterweg 45, D-59494 Soest, Germany
Mail: Sales.IA.DACH@deltaww.com
TEL: +49(0)2921 987 0

France: Delta Electronics (France) S.A.

ZI du bois Challand 2, 15 rue des Pyrénées,
Lisses, 91090 Evry Cedex, France
Mail: Sales.IA.FR@deltaww.com
TEL: +33(0)1 69 77 82 60

Iberia: Delta Electronics Solutions (Spain) S.L.U

Ctra. De Villaverde a Vallecas, 265 1º Dcha Ed.
Hormigueras – P.I. de Vallecas 28031 Madrid
TEL: +34(0)91 223 74 20
Carrer Llacuna 166, 08018 Barcelona, Spain
Mail: Sales.IA.Iberia@deltaww.com

Italy: Delta Electronics (Italy) S.r.l.

Via Meda 2-22060 Novedrate(CO)
Piazza Grazioli 18 00186 Roma Italy
Mail: Sales.IA.Italy@deltaww.com
TEL: +39 039 8900365

Russia: Delta Energy System LLC

Vereyskaya Plaza II, office 112 Vereyskaya str.
17 121357 Moscow Russia
Mail: Sales.IA.RU@deltaww.com
TEL: +7 495 644 3240

Turkey: Delta Greentech Elektronik San. Ltd. Sti. (Turkey)

Şerifali Mah. Hendem Cad. Kule Sok. No:16-A
34775 Ümraniye – İstanbul
Mail: Sales.IA.Turkey@deltaww.com
TEL: + 90 216 499 9910

MEA: Eltek Dubai (Eltek MEA DMCC)

OFFICE 2504, 25th Floor, Saba Tower 1,
Jumeirah Lakes Towers, Dubai, UAE
Mail: Sales.IA.MEA@deltaww.com
TEL: +971(0)4 2690148

*We reserve the right to change the information in this catalogue without prior notice.