

# LN-01 LonWorks Communication Module Instruction Sheet

## INTRODUCTION:

Device LN-01 is used for communication interface between Modbus and LonTalk. LN-01 needs be configured via LonWorks network tool first, so that it can perform the function on LonWorks network. No need to set LN-01 address.

## SPECIFICATION:

Power supply: 16-30VDC, 750mW

Communication: Modbus in ASCII format, protocol: 9600, 7, N, 2

LonTalk: free topology with FTT-10A 78 Kbps.

LonTalk terminal: 9 terminals, wire gauge: 28-12 AWG, wire strip length: 7-8mm

RS-485 port: 6 pins with RJ-11

Dimension: (see Figure 1)

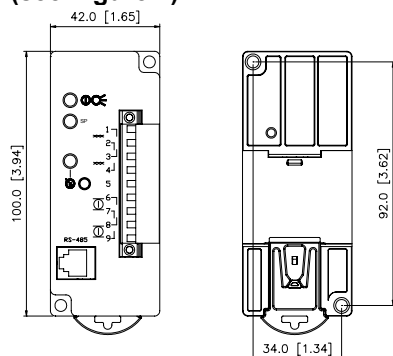


Figure 1

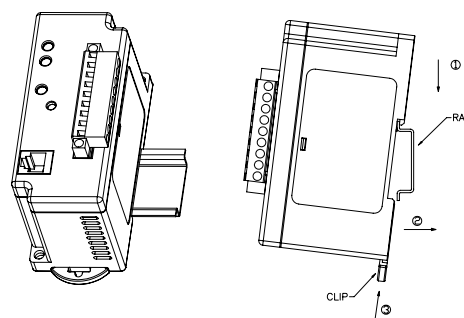


Figure 2

## INSTALLATION:

1. Please refer to Figure 2 above to mount LN-01 onto Din Rail.
2. Table below shows LonTalk system wiring. RJ-11, a safety device, is used to prevent user plug-in the device in wrong direction.

Terminal	Symbol	Function
1		These are twisted pair cable connects to LonTalk system. Terminals 1 and 2 should be used as one group, and same for terminals 3 and 4.
2		
3		
4		
5	N/A	N/A
6		Power input terminals for 16-30 VDC. Power input is polarity sensitive. (No need to consider which polarity to connect. Need only connect 16-30 VDC to LN-01 input terminals directly)
7		
8		Terminals 6 and 7 should be used as one group, and same for terminals 8 and 9 (see NOTE below).
9		

**NOTE:** If 16-30VDC is connected to one terminal group for example terminal 6 and 7, LonWorks then needs be connected to the other terminal that is 8 and 9. Or vice versa.

3. LED indicator: Figure 1, sequence from top to bottom is Power LED, SP LED and service LED.
4. Service pin locates at the right lower corner of Service LED.
5. When power on and LN-01 is un-configured, LED status will be as follows:  
Power LED is steady green, SP LED is off (red or green) and service red LED blinking at rate 1/2 Hz.
6. Configuring LN-01 by using LonWorks integrated tool.
7. After configuration finished, power LED, SP LED should be green (red LED means abnormal communication) and service LED should be OFF. If LED shows differently, refer to user manual chapter 5 for troubleshooting.