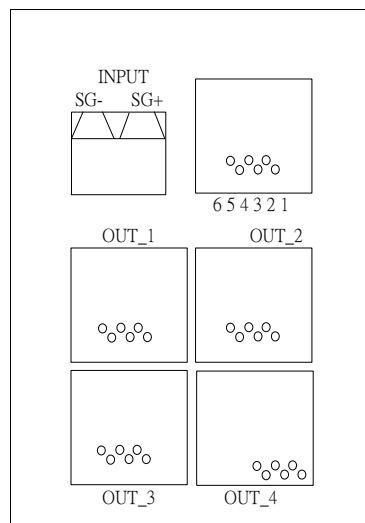


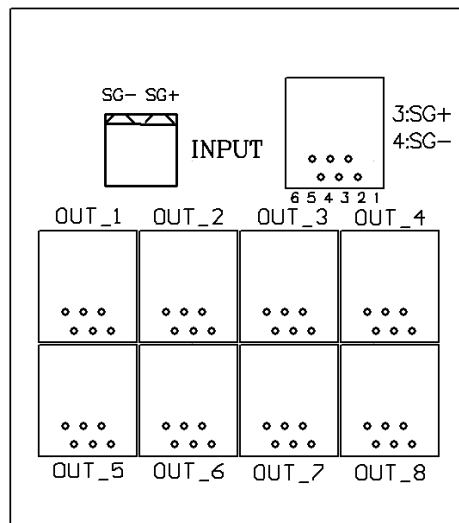
**DELTA**

# RS485 Splitter VFD-CMD 04/08 Instruction Sheet

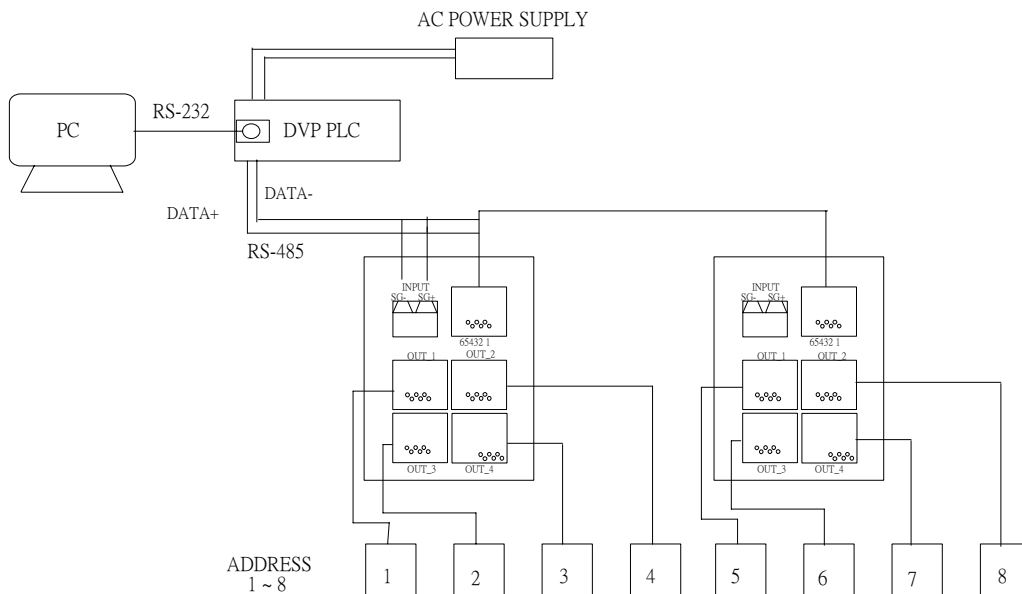
To complete the communication function between VFD series AC motor drives and DVP series PLC, Delta develops multi-machine communication board. RS-232 communication port of PC connects to the input terminal of this multi-machine board via RS-232/RS485 converter. An AC motor drive can connect to multiple AC motor drives by using this communication board (1 to 4/8) to control multi-machine communication. Refer to the following diagrams for details.



VFD-CMD04

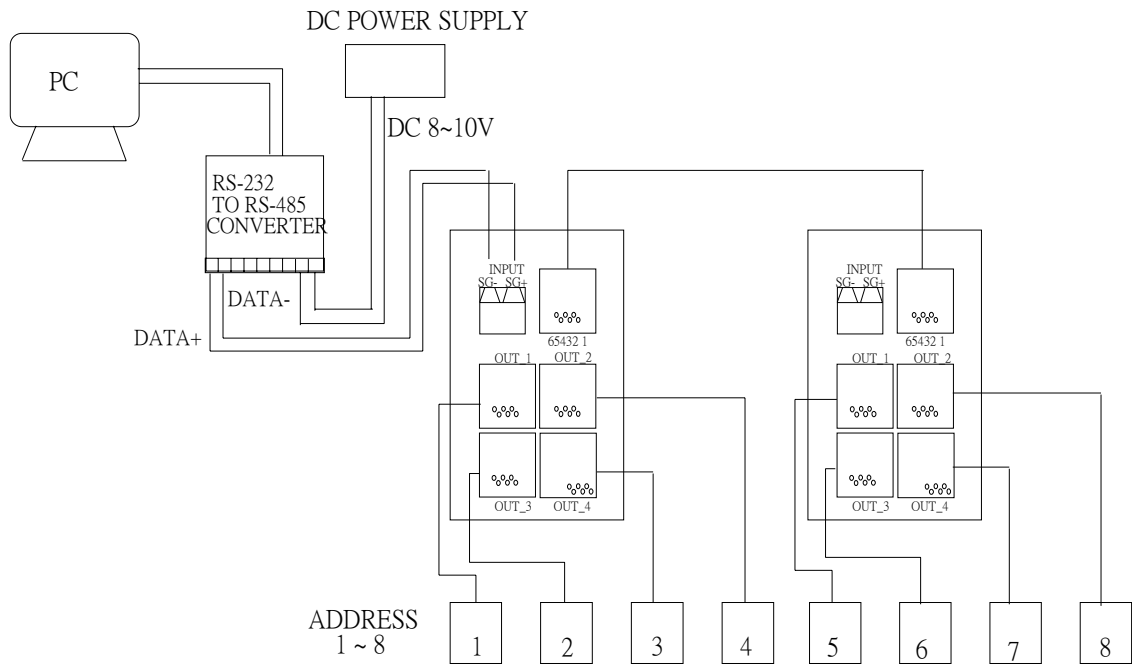


VFD-CMD08



PC → PLC → multi-machine communication board → AC motor drives

# DELTA



PC → converter → multi-machine communication board → AC motor drives