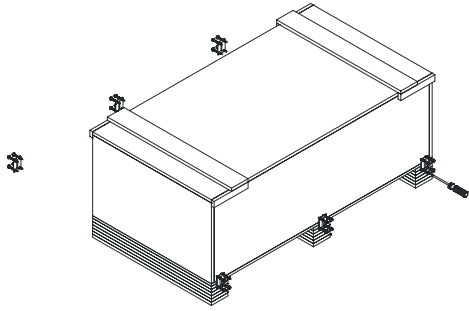


# Unpacking Instruction (215-250HP)

## 產品取出說明書 (215-250HP)

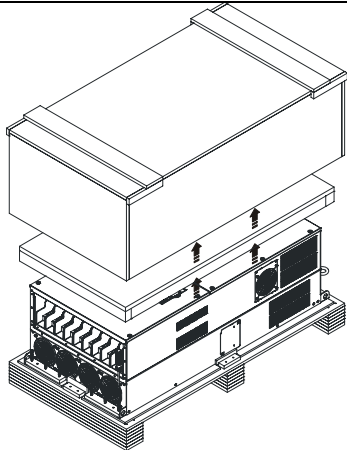
---



Step 1: Unscrew all the cover screws (24 screws).

步驟一：鬆開木箱上蓋的所有螺絲(共 24 顆)。

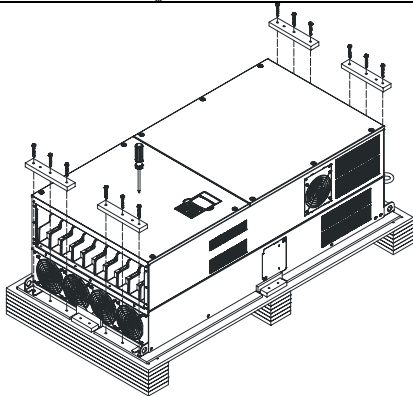
---



Step 2: Lift the wooden box and EPE.

步驟二：將木箱及 EPE 向上取出。

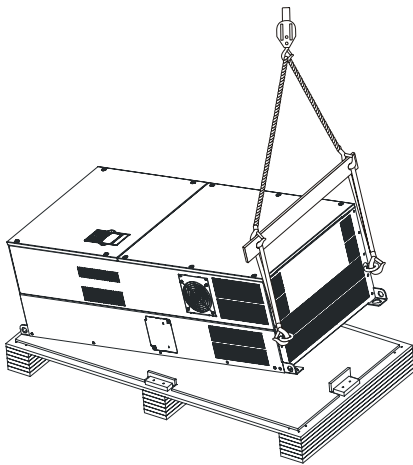
---



Step 3: Unscrew the 12 screws that fixed the AC motor drive to the pallet and remove 4 wooden slats.

步驟三：再拆下變頻器與棧板之間的固定螺絲(共 12 顆)及木板壓條(4PCE)。

---



Step 4: Lift the AC motor drive following the steps on the back page.

步驟四：再依背面所示之方式將變頻器吊起。

---

2007-12-11

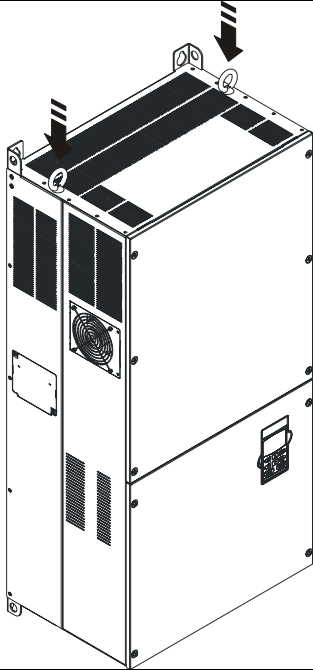


5011673600-BW20

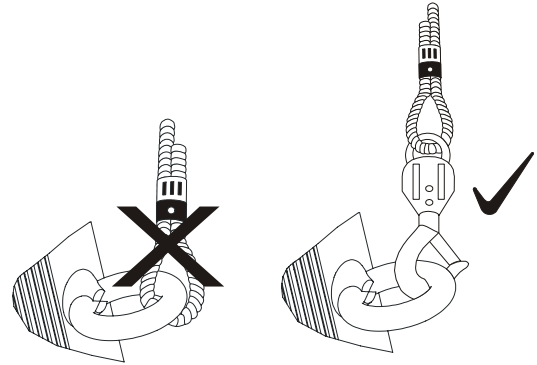
# Lifting Instruction

## 產品搬運說明書

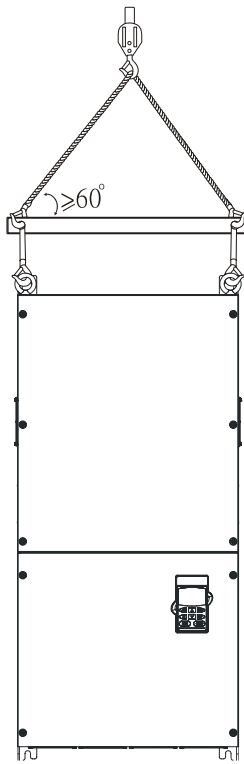
Step 1



Step 2



Step 3



Step 4

