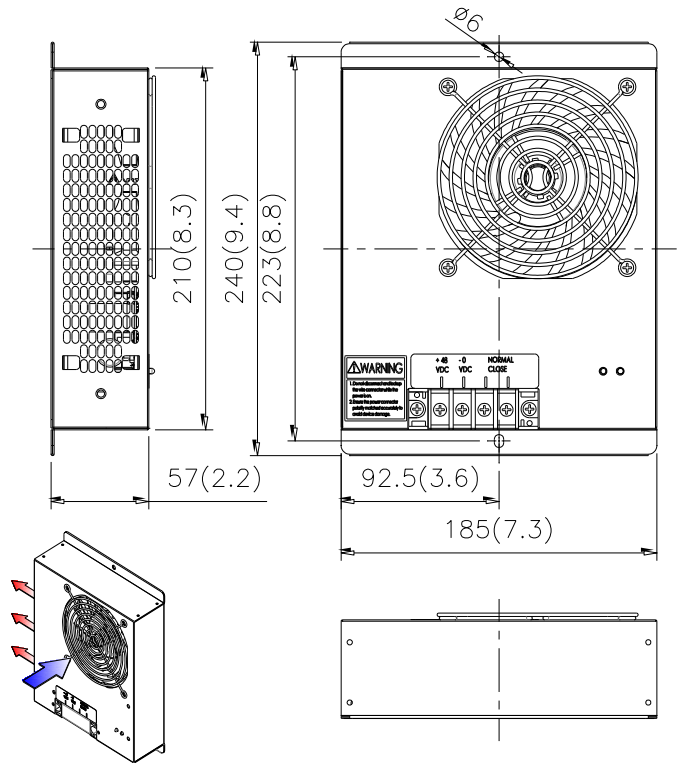


### Dimension drawing

NOTE :  
 (1) Material : SGCC T=1.0mm  
 (2) Finish : Powder paint 75-120um, Color 7032  
 (3) Dimensional tolerance : ± 1.0mm



### Features

- ◆ Quick heating
- ◆ Constant Air Flow
- ◆ Standalone temperature control
- ◆ Component fail alarm
- ◆ Compact design
- ◆ Soft Start
- ◆ High efficiency and reliable fan
- ◆ Easy installation

Technical data	
Dimension (W x D x H)	185 x 9.4 x 57 mm (7.3 x 5.9 x 2.2)in
Heating element	High performance insulated PTC
Fan type	DC Axial FAN
Connection	4P Terminal block
Temperature safety cut-out	Built in control & Reset overheating switch
Mounting type	Plane Mounting
Casing	Metal
Protection class	IP2X
Weight	1.5 kg (3.0lb)

Part No.	Operating voltage	Heating capacity	Heating control
HEH100PA	DC 48 V	1000W	Built in (5°C on/ 15°C off)